



Plast/Joint®

→ Your benefits

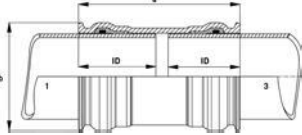
- Easy installation, where access is difficult, thanks to the one bolt system
- Quick, efficient and cost effective installation, no machines or special tools necessary
- Durable corrosion protection by Resicoat® epoxy powder coating (GSK approved)
- Reusable
- Applicable for under- and above-ground use
- All weather use

Contents Plast/Joint®

	page
Plast/Joint® 8000 Coupling, non-restraint	74
Plast/Joint® 8007 Coupling, restraint	75
Plast/Joint® 8050 Flange Adaptor, non-restraint	76
Plast/Joint® 8057 Flange Adaptor, restraint	77

Plast/Joint®

Plast/Joint® 8000 Coupling, non-restraint

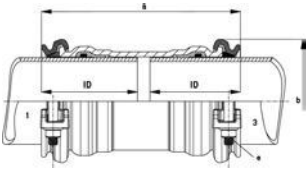


Model:

- Ductile Cast iron GGG45 body and clamping ring(s), acc. to EN-GJS-450-10
- RESICOAT® epoxy powder coating, according to GSK standards and EN 14901
- Gaskets NBR or EPDM
- Suitable for water and gas
- For water applications on PE and PVC pipes SDR 9, SDR 11 and SDR 17 (SDR 17.6) and for PVC pipes SDR 21, 34 and bi oriented SDR 41 insert stiffeners are not required. Note: for all gas applications and for PE pipes with SDR 21 or thinner wall thicknesses, insert stiffeners are mandatory
- For more information on the use of insert stiffeners please contact your local dealer

d [mm]	NBR Code	EPDM Code	kg	a [mm]	b [mm]	PN Water [bar]	PN Gas [bar]	insertion depth [mm]
63	709 200 210	709 200 610	2.326	165	94	16.0	8.0	80
74	709 200 212	709 200 612	2.418	165	106	16.0	8.0	74
90	709 200 214	709 200 614	3.279	175	121	16.0	8.0	85
110	709 200 216	709 200 616	4.669	209	141	16.0	8.0	102
125	709 200 218	709 200 618	5.129	218	156	16.0	8.0	106
140	709 200 220	709 200 620	6.168	222	172	16.0	8.0	108
160	709 200 222	709 200 622	8.664	250	197	16.0	8.0	122
180	709 200 224	709 200 624	10.400	269	217	16.0	8.0	132
200	709 200 226	709 200 626	12.752	274	237	16.0	8.0	134
225	709 200 228	709 200 628	14.530	277	262	16.0	8.0	136
250	709 200 230	709 200 630	18.026	337	292	16.0	8.0	166
280	709 200 232	709 200 632	21.186	344	323	16.0	8.0	169
315	709 200 234	709 200 634	26.210	349	358	16.0	8.0	172

PF 1 54 932 001



Plast/Joint® 8007 Coupling, restraint

Model:

- Ductile Cast iron GGG45 body and clamping ring(s), acc. to EN-GJS-450-10
- RESICOAT® epoxy powder coating, according to GSK standards and EN 14901
- Stainless steel A2 quality (AISI 304) bolts, nuts and washers (optional: A4 quality)
- Gripping in brass
- Gaskets NBR or EPDM
- Suitable for water and gas
- For water applications on PE and PVC pipes SDR 9, SDR 11 and SDR 17 (SDR 17.6) and for PVC pipes SDR 21, 34 and bi oriented SDR 41 insert stiffeners are not required. Note: for all gas applications and for PE pipes with SDR 21 or thinner wall thicknesses, insert stiffeners are mandatory
- For more information on the use of insert stiffeners please contact your local dealer

d [mm]	NBR / A2 Code	NBR / A4 Code	EPDM / A2 Code	EPDM / A4 Code	kg
63	709 207 210	709 207 010	709 207 610	709 207 310	4.789
75	709 207 212	709 207 012	709 207 612	709 207 312	5.079
90	709 207 214	709 207 014	709 207 614	709 207 314	6.200
110	709 207 216	709 207 016	709 207 616	709 207 316	7.900
125	709 207 218	709 207 018	709 207 618	709 207 318	8.638
140	709 207 220	709 207 020	709 207 620	709 207 320	9.939
160	709 207 222	709 207 022	709 207 622	709 207 322	15.742
180	709 207 224	709 207 024	709 207 624	709 207 324	18.030
200	709 207 226	709 207 026	709 207 626	709 207 326	20.943
225	709 207 228	709 207 028	709 207 628	709 207 328	23.510
250	709 207 230	709 207 030	709 207 630	709 207 330	32.261
280	709 207 232	709 207 032	709 207 632	709 207 332	36.719
315	709 207 234	709 207 034	709 207 634	709 207 334	43.080

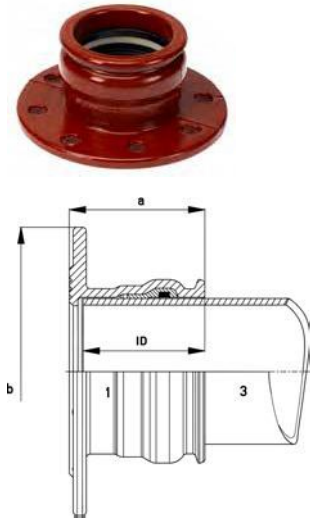
d [mm]	a [mm]	b [mm]	PN Water [bar]	PN Gas [bar]	insertion depth [mm]
75	201	160	16.0	8.0	98
75	201	173	16.0	8.0	98
75	211	188	16.0	8.0	103
110	245	206	16.0	8.0	120
125	254	222	16.0	8.0	124
140	258	238	16.0	8.0	126
160	294	283	16.0	8.0	144
180	314	303	16.0	8.0	150
200	318	324	16.0	8.0	156
225	321	349	16.0	8.0	158
250	397	385	16.0	8.0	196
280	404	416	16.0	8.0	199
315	409	451	16.0	8.0	202

PF 1 54 932 001

Plast/Joint® 8050 Flange Adaptor, non-restraint

Model:

- Ductile Cast iron GGG45 body and clamping ring(s), acc. to EN-GJS-450-10
- RESICOAT® epoxy powder coating, according to GSK standards and EN 14901
- Gaskets NBR or EPDM
- Suitable for water and gas
- Flange drilling according to EN 1092-2
- For water applications on PE and PVC pipes SDR 9, SDR 11 and SDR 17 (SDR 17.6) and for PVC pipes SDR 21, 34 and bi oriented SDR 41 insert stiffeners are not required. Note: for all gas applications and for PE pipes with SDR 21 or thinner wall thicknesses, insert stiffeners are mandatory
- For more information on the use of insert stiffeners please contact your local dealer



d [mm]	DN [mm]	Drilling pattern	NBR Code	EPDM Code	kg
76	50	PN16	709 250 210	709 250 610	2.451
75	65	PN16	709 250 212	709 250 612	2.723
76	80	PN16	709 250 214	709 250 614	3.495
110	100	PN16	709 250 216	709 250 616	4.457
125	100	PN16	709 250 218	709 250 618	4.372
140	125	PN16	709 250 220	709 250 620	5.465
160	150	PN16	709 250 222	709 250 622	7.763
180	150	PN16	709 250 224	709 250 624	7.716
200	200	PN10	709 250 225	709 250 625	12.112
200	200	PN16	709 250 226	709 250 626	12.112
225	200	PN10	709 250 227	709 250 627	11.930
225	200	PN16	709 250 228	709 250 628	11.930
250	250	PN10	709 250 229	709 250 629	15.985
250	250	PN16	709 250 230	709 250 630	15.985
280	250	PN10	709 250 231	709 250 631	16.660
280	250	PN16	709 250 232	709 250 632	16.660
315	300	PN10	709 250 233	709 250 633	21.954
315	300	PN16	709 250 234	709 250 634	21.410

d [mm]	DN [mm]	a [mm]	b [mm]	PN Water [bar]	PN Gas [bar]	insertion depth [mm]
76	50	76	165	16.0	8.0	74
75	65	76	185	16.0	8.0	74
76	80	76	200	16.0	8.0	76
110	100	104	220	16.0	8.0	76
125	100	108	220	16.0	8.0	76
140	125	110	250	16.0	8.0	100
160	150	122	285	16.0	8.0	112
180	150	132	285	16.0	8.0	122
200	200	135	340	16.0	8.0	125
200	200	135	340	16.0	8.0	125
225	200	136	340	16.0	8.0	126
225	200	136	340	16.0	8.0	126
250	250	164	400	16.0	8.0	154
250	250	164	400	16.0	8.0	154
280	250	167	400	16.0	8.0	157
280	250	167	400	16.0	8.0	157
315	300	171	455	16.0	8.0	159
315	300	171	455	16.0	8.0	159

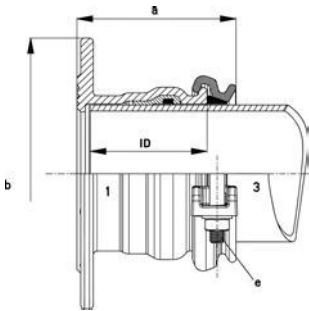
PF 1 54 932 001



Plast/Joint® 8057 Flange Adaptor, restraint

Model:

- Ductile Cast iron GGG45 body and clamping ring(s), acc. to EN-GJS-450-10
- RESICOAT® epoxy powder coating, according to GSK standards and EN 14901
- Stainless steel A2 quality (AISI 304) bolts, nuts and washers (optional: A4 quality)
- Gripping in brass
- Gaskets NBR or EPDM
- Suitable for water and gas
- Flange drilling according to EN 1092-2
- For water applications on PE and PVC pipes SDR 9, SDR 11 and SDR 17 (SDR 17.6) and for PVC pipes SDR 21, 34 and bi oriented SDR 41 insert stiffeners are not required. Note: for all gas applications and for PE pipes with SDR 21 or thinner wall thicknesses, insert stiffeners are mandatory
- For more information on the use of insert stiffeners please contact your local dealer



d [mm]	DN [mm]	Drilling pattern	NBR / A2 Code	NBR / A4 Code	EPDM / A2 Code	EPDM / A4 Code	kg
63	50	PN16	709 257 210	709 257 010	709 257 610	709 257 310	3.647
75	65	PN16	709 257 212	709 257 012	709 257 612	709 257 312	4.017
90	80	PN16	709 257 214	709 257 014	709 257 614	709 257 314	4.906
110	100	PN16	709 257 216	709 257 016	709 257 616	709 257 316	5.998
125	100	PN16	709 257 218	709 257 018	709 257 618	709 257 318	6.024
140	125	PN16	709 257 220	709 257 020	709 257 620	709 257 320	7.236
160	150	PN16	709 257 222	709 257 022	709 257 622	709 257 322	11.165
180	150	PN16	709 257 224	709 257 024	709 257 624	709 257 324	11.380
200	200	PN10	709 257 225	709 257 025	709 257 625	709 257 325	15.902
200	200	PN16	709 257 226	709 257 026	709 257 626	709 257 326	15.902
225	200	PN10	709 257 227	709 257 027	709 257 627	709 257 327	15.830
225	200	PN16	709 257 228	709 257 028	709 257 628	709 257 328	15.830
250	250	PN10	709 257 229	709 257 029	709 257 629	709 257 329	22.678
250	250	PN16	709 257 230	709 257 030	709 257 630	709 257 330	22.678
280	250	PN10	709 257 231	709 257 031	709 257 631	709 257 331	23.877
280	250	PN16	709 257 232	709 257 032	709 257 632	709 257 332	23.877
315	300	PN10	709 257 233	709 257 033	709 257 633	709 257 333	29.734
315	300	PN16	709 257 234	709 257 034	709 257 634	709 257 334	29.734

d [mm]	DN [mm]	a [mm]	b [mm]	PN Water [bar]	PN Gas [bar]	insertion depth [mm]
63	50	102	165	16.0	8.0	92
75	65	102	185	16.0	8.0	92
90	80	107	200	16.0	8.0	97
110	100	122	220	16.0	8.0	112
125	100	126	220	16.0	8.0	116
140	125	128	250	16.0	8.0	118
160	150	144	285	16.0	8.0	134
180	150	155	285	16.0	8.0	140
200	200	157	340	16.0	8.0	147
200	200	157	340	16.0	8.0	147
225	200	158	340	16.0	8.0	148
225	200	158	340	16.0	8.0	148
250	250	194	400	16.0	8.0	184
250	250	194	400	16.0	8.0	184
280	250	197	400	16.0	8.0	187
280	250	197	400	16.0	8.0	187
315	300	201	455	16.0	8.0	189
315	300	201	455	16.0	8.0	189

PF 1 54 932 001

